

# A champion decathlete

The Wacker Neuson Zero Tail Class  
28Z3 • 38Z3

**NEW**  
OPTIONAL  
WITH VDS



**WACKER  
NEUSON**

**A prize athlete.**  
Perfect versatility.  
Superior reliability.



**No obstacle too tough:**  
The Zero Tails forge their way with full maximum force

THE COMPACT ZERO TAILS WILL INSPIRE YOU WITH THEIR POWER, AGILITY AND SUPERIOR COMFORT. THE LATERAL POSITIONING OF THE ENGINES AND RESERVOIRS AT THE REAR MAKE IT POSSIBLE.

When all other machines find it too constricted on the job, the Wacker Neuson Zero Tails deliver top performance.

A no-compromise machine – sturdy and independent, strengths built on clear and proven principles.

**Unstoppable cutting edge innovation.**

## A true champion.

Top condition for man and machine:  
Full control, dynamism, added performance.



**The ability to adapt – a winning characteristic: the Wacker Neuson Zero Tail series has made “compact” into a principle of success.**

Narrower streets, constricted cities, tighter schedules, increased efficiency demands – this is where the compacts really shine – no tail swing, powerful technology and unbeatable agility put them into a class of their own.

All the Wacker Neuson Zero Tail machines are genuine champions – quick to take the lead, increase the pace and stay ahead while retaining energy efficiency. The top of their class.



### What it's all about:

- No tail swing and compact dimensions.
- Spacious cabins with unobstructed access.
- Fully-equipped series models.
- Standard auxiliary hydraulics;  
Optional 2<sup>nd</sup> auxiliary line.
- Large service access points.
- Individual options for added features.

The optional counter weight (115 kg for the 28Z3 and 150 kg for the 38Z3) allows you to increase the stability by up to 15 % (with a tail projection of only 5 cm).

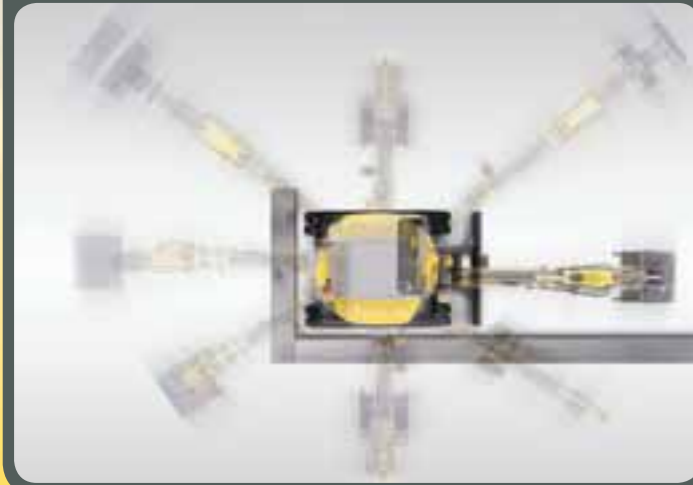


Perfectionist.  
Agility.  
Sophisticated technology.  
Stability.



**PROFESSIONALISM:** THANKS TO THE VERTICAL DIGGING SYSTEM\* (VDS), YOU AND YOUR EXCAVATOR ARE ALWAYS BEST POSITIONED TO GET ON WITH YOUR WORK.

**25%**  
MATERIAL AND  
TIME SAVINGS  
on excavation and  
filling-in



The unique construction principle of the Wacker Neuson Zero Tail machines.

**Engine placed at the side with an additional dividing wall to the cab:**

- Minimisation of noise and vibration to the cab.
- Optimal servicing and maintenance access to the diesel engine and components.

**Valve control block, fuel tank, hydraulics oil tank at the rear:**

- Less heat transferred to the cab.

The Wacker Neuson Zero Tail concept makes it possible to build a larger cab, thereby creating adequate head and leg room for the driver.



The Vertical Digging System (VDS):  
It saves time and money, offers extra security and opens up new possibilities for working even more efficiently.

Preparatory work is costly. Full slewing power is required. Safety is a must.  
There is no time for unwieldy manoeuvring.

**Your Wacker Neuson 28Z3 and 38Z3 with VDS brings you savings of up to 25%:**

Thanks to the continuously variable tilting of the superstructure through up to 15°, you can compensate for gradients and height differences of up to 27%.

**A steep challenge is turned into an opportunity to excel:**

- Greater productivity, improved efficiency: shorter digging times thanks to precisely vertical digging.
- Up to 25% material and time savings when excavating\*\*
- Up to 25% material and time savings when filling in\*\*
- Up to 20% increased stability\*\*
- Full all-round slewing power through 360°
- Familiar seat position, fatigue-proof working conditions
- Simple and robust construction
- 10-year guarantee for tilt console and support

\*Option  
\*\* on a 15° gradient

zero tail

15° vds

Top performer.  
 Superior arm power.  
 Coordination in motion.  
 High stability.



28Z  
 38Z



**The Wacker Neuson factors:**

- Less than 2700 kg overall weight (28Z3).
- Two travel speeds.
- A fuel-efficient, low-maintenance and quiet engine.
- 5-way adjustable comfortable seat.



**Greatness in a small package. Experience in detail. Built for comfort:**  
 The 28Z3 and 38Z3 have a great deal in common.

Two travel speeds pilot-controlled hydraulic pedals, safety first– an X-shaped strengthened steel chassis frame, 300mm wide rubber tracks and a perfectly balanced construction combine to give you the highest stability.

Standard two-way hydraulic system and an extra return line for the use of a hydraulic hammer.

High arm crowd force and bucket digging force thanks to kinematic movement and the control sensitivity of Wacker Neuson hydraulics.



The innovative hydraulic EASY LOCK quick-hitch system is optimally suited to the kinematics of Wacker Neuson compact excavators and makes a decisive contribution to work process improvement. Just drive up, hook up and lock automatically. Its low headway means that the bucket displacement angle remains unaffected. Workflow improvement is guaranteed.



**An all-round specialist.**  
 Head of the Field in speed.  
 The power needed for the job.  
 Winning technology.



- 1 The canopy can also be removed from the undercarriage through the simple removal of four screws, complies with the current ROPS, TOPS and FOPS\* regulations.
  - 2 The large access point and a spacious cabin, quick to disassemble. All machine functions are fully retained, even without the cabin. The cabin of the 38Z3 can also be tipped.
  - 3 An operator position with a commanding view and extra comfort – the driver's seat can be adjusted in 5 different ways. The engine is situated on the side and separated from the cabin.
  - 4 Compact, without being restricting – all features are optimised for practical use and ease of operation.
  - 5 Everything within view – even novices should find working with the Zero Tail simple and safe.
- \* FOPS (Level I or II) compliant only when fitted with additional protective guard, available as a factory-installed option or as a retrofit kit.

**Stable footing, high agility, reliable performance and applied ergonomics.**  
 The Wacker Neuson Zero Tails are built around the person.

Wherever stability and cabin comfort are demanded, they are in their element.

The construction methods used for the Wacker Neuson Zero Tail ensure thermal and acoustic separation of the driver cabin and engine compartment. Heat and noise generated by the engine cannot penetrate the cabin. The comfort level of the driver is therefore dramatically increased, while strain is significantly reduced.



The front runner.  
Quick maintenance.  
Fast transport.  
Flexible adjustments.

**The transport professional:**

- Less than 2.7 tonnes total weight (with cabin).
- Transport using passenger vehicle trailer (subject to national restrictions).
- Extra reach and additional fields of application.
- Significant savings on costs.



**Agility and profitability as a principle of construction:  
The Wacker Neuson Zero Tails are in a class of their own.**

Rapid and precise reactions, safe control over power and easy transportation of excavators.

All these goals have been achieved in every detail – from the hydraulics to the large oil cooler to the special time-saving maintenance requirements. Design specific– ideal proportions and a multitude of strengths, all the characteristics of a true decathlete. That is our success.

28Z  
38Z



1 The large dimensions of the hydraulic coolers standard on all our models ensure that the machines can be operated even under high outdoor temperatures with maximum loads at any time.

2 All parts requiring maintenance, such as fuel, oil and air filters as well as the water and hydraulic oil coolers and hydraulic oil filters are easily accessible, thanks to the lateral position of the engine.

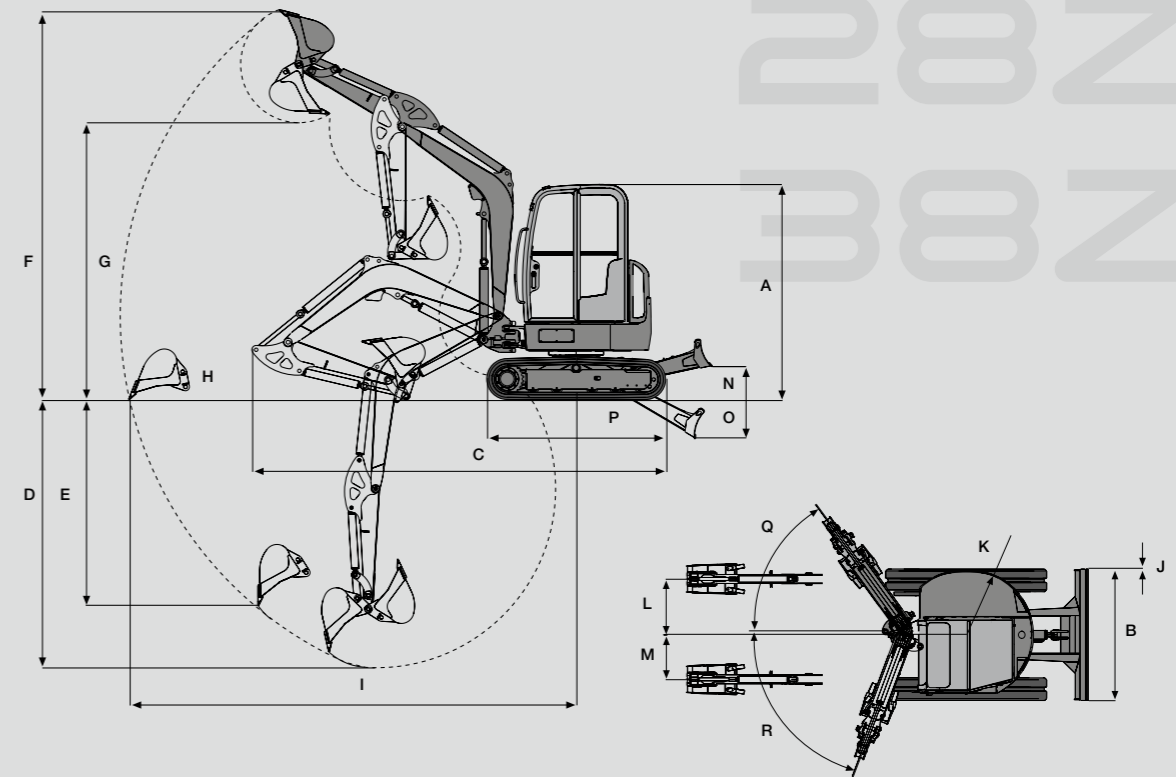
3 The cabin floor panel and the rear cover of the 28Z3 have been designed for extra comfort and time-saving maintenance and are easily removed. They enable easy access to all important components.

4 The tipping cabin of the 38Z3 made for easy servicing access; all components below it are immediately within reach. The necessary servicing work can be carried out on the spot, saving time and money.

5 The divided pivot bracket connection on the chassis ensures optimal routing of the hydraulic lines and full protection at all times.



**Front runner.**  
 Absolute individuality.  
 One step ahead from  
 the very beginning.



DIMENSIONS	28Z3	38Z3
A Height	2408 mm	2500 mm
B Width	1570 mm	1740 mm
C Transport length (arm lowered)	4255 mm	4800 mm
DIGGING DATA (LONG / SHORT DIPPER ARM)		
D Max. digging depth	2544 / 2744 mm	3103 / 3353 mm
E Max. vertical digging depth	1962 / 2152 mm	2430 / 2670 mm
F Max. digging height	4170 / 4300 mm	4530 / 4660 mm
G Max. dumping height	2840 / 2970 mm	3220 / 3350 mm
H Max. digging radius	4613 / 4805 mm	5300 / 5535 mm
I Max. range on the ground	4481 / 4681 mm	5191 / 5431 mm
(GENERAL) DIGGING DATA		
Max. rear protrusion when the superstructure rotates 90°	0 mm	0 mm
K Rear oscillation radius	760 mm	870 mm
L Max. jib shifting in the middle of the excavator bucket on the right side	764 mm	740 mm
M Max. jib shifting in the middle of the excavator bucket on the left side	533 mm	590 mm
N Max. lifting height of dozer blade over planum	380 mm	390 mm
O Max. dozer digging depth	419 mm	450 mm
P Running gear length	2006 mm	2075 mm
Q Max. arm system swivel angle to the right	50 °	55 °
R Max. arm system swivel angle to the left	75 °	70 °

- Ⓐ Projection from the middle of the turntable
- Ⓑ Load sling height above ground level

\* Lifting force is restricted hydraulically. All values in the table are given in kg, at horizontal standing on hard ground and without bucket. If a bucket or other work tool is attached, the lifting power or tipping load is reduced by their weight. Basis of calculations: as ISO 10567. The lifting power of the compact excavator is limited by the adjustment of the pressure control valve and by the tipping security. Neither 75 % of the static tipping load nor 87 % of the hydraulic lifting power is exceeded.

0°		with levelling blade support in direction of travel
90°		without levelling blade support 90° to direction of travel



	28Z3	38Z3
<b>OPERATING DATA</b>		
Operating weight	2735–3390 kg	3765–4485 kg
Transport weight	2575–3230 kg	3595–4315 kg
Max. breaking force	15.4 kN	21.9 kN
Max. breaking force with extended dipper arm	13.6 kN	19.4 kN
Max. breakaway torque	22.5 kN	28.6 kN
<b>ENGINE</b>		
Make/type	Yanmar 3TNV76	Yanmar 3TNV88
Design	water-cooled 3-cylinder diesel engine	water-cooled 3-cylinder diesel engine
Engine power with ISO	15,2 kW (20,7 PS)	21 kW (28.6 PS)
Cylinder capacity	1115 cm <sup>3</sup>	1642 cm <sup>3</sup>
Rated speed	2500 min <sup>-1</sup>	2400 min <sup>-1</sup>
Battery	12 V, 44 Ah	12 V, 71 Ah
Diesel tank volumes	35,2 l	44 l
<b>HYDRAULIC SYSTEM</b>		
Pump	Double variable and double gear pump	Double variable and double gear pump
Flow capacity	2 x 30.5 + 21.2 + 7.2 l/min	2 x 40 + 26.3 + 11.3 l/min
Working and driving pressure	225 bar	240 bar
Vertical mill working pressure	206 bar	210 bar
Hydraulic oil cooler	Standard	Standard
Hydraulic tank content	26.5 l	38.5 l
<b>UNDERCARRIAGE</b>		
2 travelling speeds	2.1 km/h und 3.8 km/h	2.8 km/h und 4.6 km/h
Gradeability	30°/58%	30°/58%
Track width	300 mm	300 mm
Number of rollers on each side	3	4
Ground clearance	277 mm	280 mm
Ground contact pressure	0.27 kg/cm <sup>2</sup>	0.34 kg/cm <sup>2</sup>
Upper carriage revolutions per minute	10.25 min <sup>-1</sup>	8.8 min <sup>-1</sup>
<b>DOZER BLADE</b>		
Width	1570 mm	1740 mm
Height	290 mm	345 mm
Max. lifting height over planum	380 mm	390 mm
Max. digging depth	419 mm	450 mm
<b>NOISE EMISSION</b>		
Noise level (L <sub>wa</sub> ) (In accordance with 2000/14/EG)	93 dB (A)	95 dB (A)
Noise level (L <sub>wa</sub> ) (In accordance with ISO 6394)	–	77 dB (A)

LIFTING POWER TABLE 28Z3

SHORT DIPPER ARM								
B	2,5 m		3,0 m		3,5 m		max.	
	0°	90°	0°	90°	0°	90°	0°	90°
3,0 m	–	–	492*	426	–	–	508*	387
2,0 m	588*	559	525*	414	492*	319	489*	280
1,0 m	872*	495	663*	380	554*	301	494*	249
0,0 m	967*	463	731*	357	581*	287	504*	257
-1,0 m	805*	467	605*	359	–	–	498*	324

LONG DIPPER ARM / COUNTER WEIGHT

B	2,5 m		3,0 m		3,5 m		max.	
	0°	90°	0°	90°	0°	90°	0°	90°
3,0 m	–	–	423*	423*	–	–	458*	377
2,0 m	–	–	473*	473*	450*	367	447*	292
1,0 m	811*	573	625*	437	526*	346	453*	266
0,0 m	960*	531	720*	409	575*	329	465*	276
-1,0 m	852*	529	646*	406	–	–	468*	343

LIFTING POWER TABLE 38Z3

SHORT DIPPER ARM								
B	2,5 m		3,5 m		4,5 m		max.	
	0°	90°	0°	90°	0°	90°	0°	90°
3,0 m	–	–	660*	660*	–	–	–	–
2,0 m	–	–	785*	640	790*	425	–	–
1,0 m	1735*	975	1050*	600	840*	410	825*	395
0,0 m	2025*	925	1210*	570	855*	400	805*	385
-1,0 m	1875*	915	1160*	565	–	–	–	–
-2,0 m	1440*	945	–	–	–	–	–	–

LONG DIPPER ARM / COUNTER WEIGHT

B	2,5 m		3,5 m		4,5 m		max.	
	0°	90°	0°	90°	0°	90°	0°	90°
3,0 m	–	–	–	–	–	–	–	–
2,0 m	–	–	670*	670*	705*	475	–	–
1,0 m	1520*	1095	965*	670	790*	460	755*	405
0,0 m	1975*	1020	1170*	635	845*	445	750*	400
-1,0 m	1920*	1005	1175*	620	–	–	–	–
-2,0 m	1570*	1025	–	–	–	–	–	–

STANDARD EQUIPMENT

28Z3 • 38Z3

OPTIONS

28Z3 • 38Z3

GENERAL INFORMATION

Rubber track 300 mm

Dozer blade

Working light mounted to the boom

Tool kit incl. grease gun and operator manual

ENGINE

Water-cooled YANMAR diesel engine

CANOPY

Adjustable driver seat with imitation leather cover and safety belt, canopy complies with the current ROPS, TOPS and FOPS\* regulations

HYDRAULICS

Summation regulated

Hydraulic pilot control via joystick

Valve control according to ISO, DIN, SAE, PCSA and EURO

Auxiliary hydraulic connections for two directions of motion, mounted on dipperstick

28Z3 Dual travel speed

38Z3 Auto2 speed transmission, dual travel speed operated automatically, 2<sup>nd</sup> gear manually locked

Hydraulically dampened drive pedals

Hydraulic oil cooler

Increased, depressurized return line

for several attachments

28Z3 Park brake turn motor

\* FOPS (Level I or II) compliant only when fitted with additional protective guard, available as a factory-installed option or as a retrofit kit.

CABIN

Safety cabin: cabin heating, split front window, top swings back, bottom lifts out, windscreen wiper and washing system, 1 cabin door, covered cab interior. The cabin is removable and complies with the current ROPS, TOPS and FOPS\* regulations

Canopy with back window

38Z3 Air conditioning system

Radio

HYDRAULICS

3. Control unit circuit (proport.)

Biodegradable oil Panolin

BP Biohyd SE46

Flat faced couplers

Proportional control (aux.hyd)

Addit. piping for grapple

Overload valve for auxiliary hydraulic

Overload system Germany

Overload system France

Prepar. hydraulic QH-system (EASY LOCK)

Pilot circuit Powertilt

PAINTING

Special paint 1 RAL

(for parts in yellow only)

Special paint 1 no RAL

(for parts in yellow only)

Special paint cabin/canopy RAL

(RAL colours only)

MISCELLANEOUS

VDS Vertical Digging System

Cab lighting front

Cab lighting front and rear

38Z3 Electrical refuelling pump

Flashing beacon

Idle speed autom. Operation

Driving signal

Counter weight

28Z3 (+112 kg)

38Z3 (+150 kg)

Long dipperstick

28Z3 (+200 mm)

38Z3 (+250 mm)

Security 24 (2000 h)

(Warranty extension to 24 months or 2000 operation hours)

Security 36 (3000 h)

(Warranty extension to 36 months or 3000 operation hours)

Drive interlock KAT

PACKS

Mirror pack

Exterior mirror right and left

Wacker Neuson compact  
equipment offers power  
and manoeuvrability on the spot.  
**Any time, any place.**

We consider it a constant duty to ensure that our promise regarding our products and services is fulfilled:

**Reliability, Trust, Quality, Reactivity, Flexibility and Innovation.**

Compact construction equipment of the Wacker Neuson brand also does the business where others can only stand and watch. Our products prove their worth through quality, power, intelligent hydraulics, compact dimensions, innovative technology, high productivity and reliability. This gives a form of set-up that only Wacker Neuson – the specialist in compact equipment – is capable of.

You too can take advantage of this bespoke capability. The Wacker Neuson compact class is in a class of its own. With success stamped right through it.



**WACKER  
NEUSON**