

430

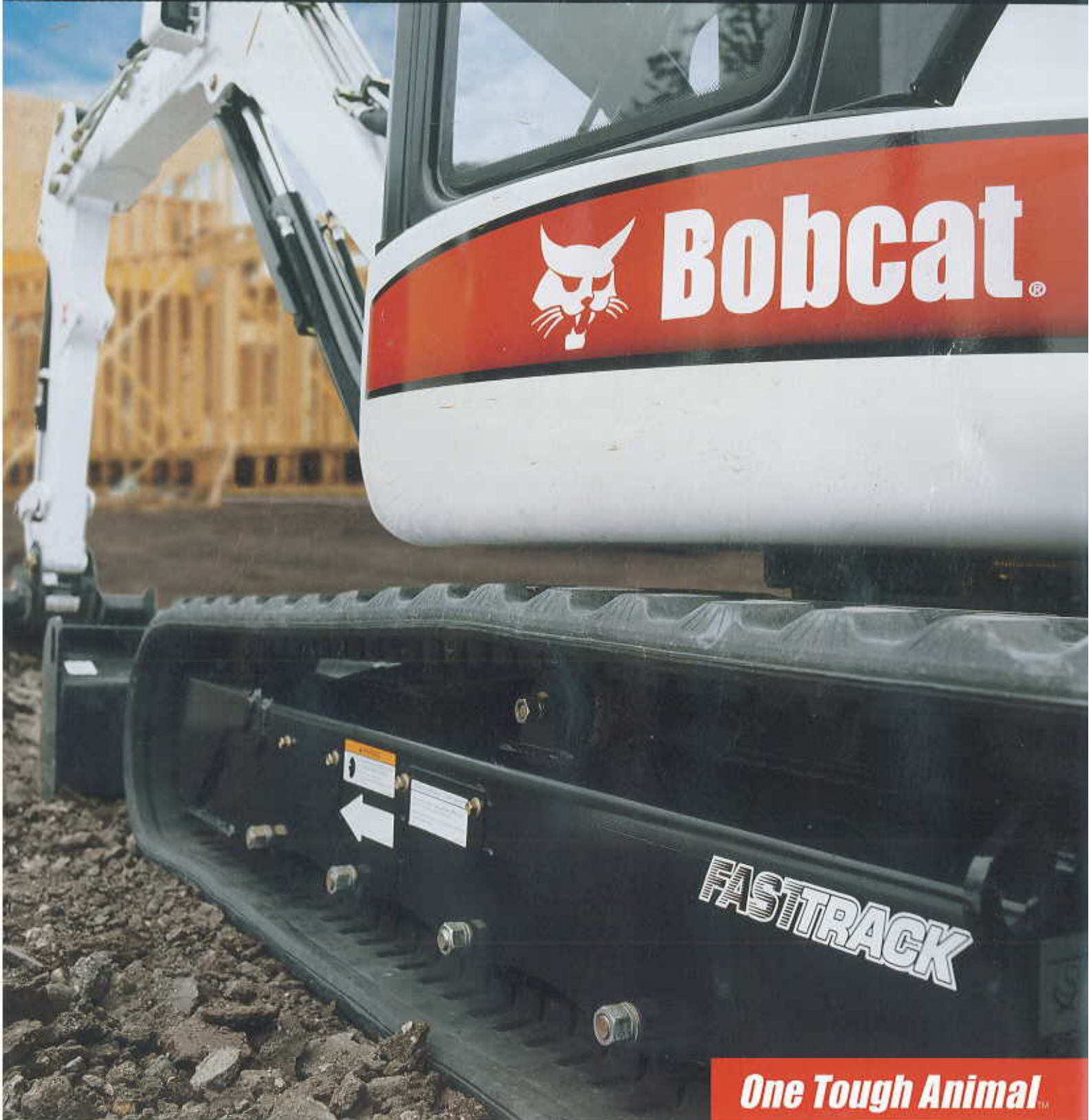
ZHS

Compact Excavator

435

ZHS

Compact Excavator



One Tough Animal™

Specifications

Bobcat Attachments for these models:

- Auger
- Breaker
- Bucket, Grading
- Bucket, Trenching
- Clamp
- Grading Blade
- Grapple
- Grapple, Rotating
- Hydra-Tilt™
- Packer Wheel
- Plate Compactor
- PowerTilt®
- Ripper
- Trencher

Performance

	430 Standard Arm	430 Extendable Arm Retracted	430 Extendable Arm Extended	430 Long Arm	435 Standard Arm	435 Long Arm
Operating Weight						
FastTrack	8024 lb. (3640 kg)	8662 lb. (3930 kg)	8662 lb. (3930 kg)	8258 lb. (3746 kg)	10555 lb. (4788 kg)	10802 lb. (4900 kg)
Conventional	7885 lb. (3584 kg)	8523 lb. (3874 kg)	8523 lb. (3874 kg)	8119 lb. (3690 kg)	10555 lb. (4788 kg)	10802 lb. (4900 kg)
Travel Speed						
FastTrack						
Low	2.6 mph (4.2 km/h)	2.6 mph (4.2 km/h)	2.6 mph (4.2 km/h)	2.6 mph (4.2 km/h)	2.8 mph (4.5 km/h)	2.8 mph (4.5 km/h)
High	5.0 mph (8.0 km/h)	5.0 mph (8.0 km/h)	5.0 mph (8.0 km/h)	5.0 mph (8.0 km/h)	5.4 mph (8.7 km/h)	5.4 mph (8.7 km/h)
Conventional						
Low	1.5 mph (2.4 km/h)	1.5 mph (2.4 km/h)	1.5 mph (2.4 km/h)	1.5 mph (2.4 km/h)	1.5 mph (2.4 km/h)	1.5 mph (2.4 km/h)
High	2.9 mph (4.7 km/h)	2.9 mph (4.7 km/h)	2.9 mph (4.7 km/h)	2.9 mph (4.7 km/h)	2.9 mph (4.7 km/h)	2.9 mph (4.7 km/h)
Hydraulic Pumps						
Type	Piston w/gear	Piston w/gear	Piston w/gear	Piston w/gear	Piston	Piston
Auxiliary Flow	16.4 gpm (62.1 L/m)	16.4 gpm (62.1 L/m)	16.4 gpm (62.1 L/m)	16.4 gpm (62.1 L/m)	19.8 gpm (75.0 L/m)	19.8 gpm (75.0 L/m)
Track Shoes	Rubber (steel optional)	Rubber (steel optional)	Rubber (steel optional)	Rubber (steel optional)	Rubber (steel optional)	Rubber (steel optional)
Width	12.6 in. (320 mm)	12.6 in. (320 mm)	12.6 in. (320 mm)	12.6 in. (320 mm)	15.7 in. (400 mm)	15.7 in. (400 mm)
Ground Pressure						
FastTrack	4.21 psi (29.0 kPa)	4.54 psi (31.3 kPa)	4.54 psi (31.3 kPa)	4.33 psi (29.9 kPa)	4.07 psi (28.1 kPa)	4.15 psi (28.6 kPa)
Conventional	4.13 psi (28.5 kPa)	4.45 psi (30.7 kPa)	4.45 psi (30.7 kPa)	4.25 psi (29.3 kPa)	4.0 psi (27.6 kPa)	4.10 psi (28.3 kPa)
Overall Machine Width	70.1 in. (1780 mm)	70.1 in. (1780 mm)	70.1 in. (1780 mm)	70.1 in. (1780 mm)	76 in. (1930 mm)	76 in. (1930 mm)
Swing Speed		8.8 rpm			9.3 rpm	
Boom Swing						
Left		90°			90°	
Right		50°			50°	

Working Range

Arm Length	47.2 in. (1200 mm)	47.1 in. (1195 mm)	79.5 in. (2019 mm)	59.1 in. (1500 mm)	54 in. (1372 mm)	67.8 in. (1722 mm)
Max. Digging Height	180 in. (4571 mm)	176.8 in. (4490 mm)	189.5 in. (4812 mm)	187.2 in. (4755 mm)	210.5 in. (5346 mm)	220.0 in. (5588 mm)
Max. Dump Height	123 in. (3125 mm)	122.5 in. (3112 mm)	135.2 in. (3434 mm)	130.1 in. (3305 mm)	143.7 in. (3646 mm)	153.1 in. (3889 mm)
Max. Digging Depth	120.7 in. (3066 mm)	120.5 in. (3062 mm)	152.7 in. (3878 mm)	132.5 in. (3366 mm)	134.7 in. (3420 mm)	148.5 in. (3772 mm)
Max. Vertical Wall	85.6 in. (2175 mm)	74.7 in. (1897 mm)	106.9 in. (2714 mm)	102.5 in. (2604 mm)	101.1 in. (2568 mm)	113.5 in. (2883 mm)
Max. Reach at Ground Level	200.7 in. (5097 mm)	200.6 in. (5096 mm)	230.1 in. (5846 mm)	212.4 in. (5395 mm)	220.9 in. (5611 mm)	234.7 in. (5961 mm)
Arm Breakout Force	3844 lbf. (17099 N)	3844 lbf. (17099 N)	3285 lbf. (14612 N)	3309 lbf. (14719 N)	5262 lbf. (23406 N)	4525 lbf. (20128 N)
Bucket Breakout Force	6866 lbf. (30451 N)	6866 lbf. (30451 N)	6866 lbf. (30451 N)	6866 lbf. (30451 N)	7892 lbf. (35105 N)	7892 lbf. (35105 N)
Swing Clearance, Rear			34.7 in. (881 mm) (Zero Tail Swing)		37.6 in. (955 mm) (Zero Tail Swing)	
Rated Lift Capacity	1611 lb. (731 kg)	1398 lb. (634 kg)	989 lb. (449 kg)	1296 lb. (588 kg)	2319 lb. (1052 kg)	2040 lb. (925 kg)
Over End, Blade Down, Maximum Radius, Ground Level						

Engine

Model	V2203-M-DI-E2B-BC1	V2003-M-DI-TE2B-BC1
Fuel / Cooling	Diesel / Liquid	Diesel / Liquid (Turbo)
Cylinders / Displacement	Four / 134 cu.in. (2.2 L)	Four / 122 cu. in. (2.0 L)
Horsepower / RPM	42.8 hp (31.9 kW) @ 2400 rpm	49 hp (36.5 kW) @ 2500 rpm

Capacities

Fuel Tank	17.8 gal. (67.4 L)	17.8 gal. (67.4 L)
Hydraulic System	13.5 gal. (51.1 L)	14.3 gal. (54.2 L)
Hydraulic Reservoir	9.7 gal. (36.7 L)	9.7 gal. (36.7 L)
Cooling System	9.5 gal. (36 L)	9.5 gal. (36 L)

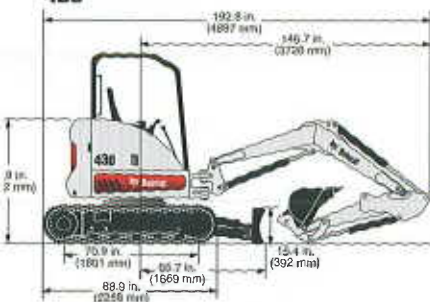
Standard Equipment

Auxiliary Hydraulics	Engine and Hydraulic Monitor with Shutdown	High-Back Suspension Seat	Radio Ready Cab	Work Lights (frame-mounted and boom-mounted)
Console Control Locks	FastTrack™ or Conventional Drive System	Horn	Retractable Seatbelt	X-Change® Attachment Mounting System
Control Pattern ISO/STD Selector Valve	Four-Post TOPS/ROPS Canopy	Hydraulic Joystick Control	Rubber Tracks	Zero House Swing
Cup Holder		Power Port	Spark Arrestor Muffler	
Dozer Blade with Float			Swing Boom	
			Two-Speed Travel	

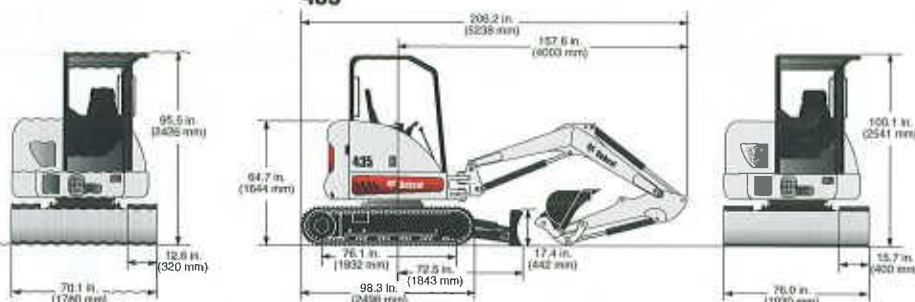
Options/Accessories

AM / FM Radio Kit	Extendable Arm	Steel Tracks	NOTE — Where applicable, dimensions are in accordance with Society of Automotive Engineers (SAE) and ISO standards. Specifications and design are subject to change without notice. Pictures of Bobcat excavators may show other than standard equipment. All dimensions are shown in inches. Respective metric dimensions are enclosed by parentheses. Bobcat Company complies with the requirements of ISO 9001 as registered with BSI.
Cab w/Heat	Keyless Ignition	Travel Motion Alarm Kit	
Cab w/HVAC	Long Arm		
Catalytic Exhaust Purifier Kit	Secondary Aux. Hyd.		

430



435



B-1774

Bobcat Company
P.O. Box 6000 • West Fargo, ND 58078
www.bobcat.com

Printed in U.S.A.

An **IR** Ingersoll-Rand business

Kn-10M-708-E5009-F